

2.4 cu. ft. Compact 24" Wide Front Load Washer



- 2.4 cu. ft. Capacity
- 24" Wide Compact Front Load Washer
- AI Fabric Sensor
- 14 Cycles / 9 Options
- Steam Technology & Allergiene™ Cycle
- TubClean Cycle
- Direct Drive Motor (10-Year Limited Warranty)
- NeveRust™ Stainless Steel Tub
- TrueBalance™ Anti-Vibration System
- LoDecibel™ Quiet Operation
- LG ThinQ® Technology (Wi-Fi)



COLOR AVAILABILITY

- WM1455HWA - White

CAPACITY & MATCHING DRYERS

Capacity (cu. ft.)	2.4
Matching Electric Dryer	N/A
Matching Gas Dryer	N/A
Matching Heat Pump Dryer	DLHC1455W

APPEARANCE

Electronic Controls with LED Display	Yes
Hard Buttons	Yes
Touch Buttons	Yes
Dial-A-Cycle™	Yes

ENERGY & WATER

ENERGY STAR® Qualified	Yes
CEE Qualified	Tier 1
Integrated Modified Energy Factor (IMEF)	2.07
Integrated Water Factor (IWF)	4.2

WASH CYCLES

Number of Cycles	14
Wash Cycles	Normal, Heavy Duty, Bulky / Large, Sanitary, Baby Wear, Allergiene™, Tub Clean, Delicates, Hand Wash / Wool, Perm. Press, Sportswear, Speed Wash, Drain + Spin, Downloaded

WASH OPTIONS

Number of Options	9
Options	Heavy Soil, Extra Rinse, Pre-wash, Delay Wash, Wi-Fi, Add Item, Remote Start, Signal, Control Lock

WASH DETAILS

Internal Heater	Yes
Number of Wash / Rinse Temps	5
Wash / Rinse Temps	Extra Hot, Hot, Warm, Cold, Tap Cold
Number of Spin Speeds	5
Spin Speeds	Extra High, High, Medium, Low, No Spin
Max RPM	1,400
Water Levels	Load Sensing
Number of Soil Levels	2
AAFA Certified	Yes

FABRIC CARE

AI DD™	Yes
Wash Technology	Standard
Steam Technology	Yes
Allergiene™ Cycle	Yes
Sanitary Cycle	Yes
ColdWash™ Option	No
SenseClean™ System	Yes

CONVENIENCE

TrueBalance™ Anti-Vibration System	Yes
Dispenser Type	3-Tray (Prewash, Main Wash and Fabric Softener)
LoDecibel™ Quiet Operation	Yes
End of Cycle Signal	Yes
LoadSense	Yes
Child Lock	Yes
Auto Suds Removal	Yes
4 Adjustable Leveling Legs	Yes
Easy Loading TiLTub™	Yes
ADA Compliant	No

SMART FEATURES

Wi-Fi Enabled	Yes
ThinQ®	Yes
ThinQ Care	Yes
Voice Control	Google Assistant, Amazon Alexa
SmartDiagnosis™	Yes
Remote Start (On / Off)	Yes
Remote Monitoring & Notifications	Yes

MOTOR AND AGITATOR

Motor Type	Inverter Direct Drive Motor
Axis	Horizontal

MATERIALS AND FINISHES

NeveRust™ Stainless Steel Drum	Yes
Door / Rim	Glass / Chrome
Door Cover	Black Tinted Round Cover

TECHNICAL SPECS

Electrical Requirements	120V, 60 Hz, 10 Amps
Type	Electric
Power Outlet Location	Within 60" of Either Side
Plug Type	3-Prong (Cord Attached to Unit)
Min. / Max. Water Pressure	20 - 120 psi

INCLUDED ACCESSORIES

Drain Hose, Non-Skid Pads, Hole Caps, Wrench, Tie Strap, Elbow Bracket (for Securing Drain Hose)

OPTIONAL ACCESSORIES

Pedestal	N/A
LG Sidekick™ Pedestal Washer	N/A
Stacking Kit	Included with Matching Dryer

DIMENSIONS

Product (W x H x D)	24" x 33 1/2" x 22 1/4"
Depth with Door Open	43 1/4"
Cutout Dimensions (W x H x D)	26" x 33 3/4" x 26 1/4"
Carton Dimensions (W x H x D)	25 63/64" x 35 1/64" x 25 63/64"
Approx. Weight (Product / Carton)	154.3 lbs. / 163.1 lbs.

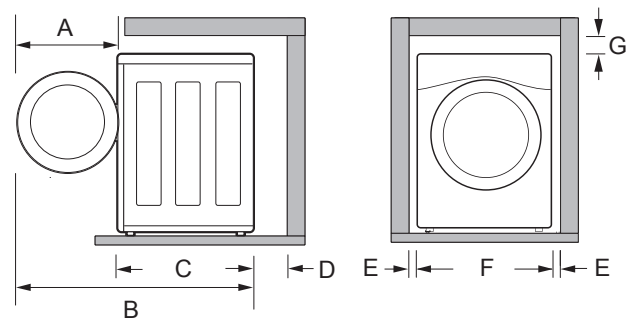
LIMITED WARRANTY

Parts and Labor	1 Year
Direct Drive Motor	10 Years (Parts Only)
Drum	3 Years (Parts Only)

DIMENSIONS / CLEARANCES

FLOOR INSTALLATION

To ensure sufficient clearance for water inlet hoses, drain hose and airflow, allow minimum clearances of at least 1 inch (2.5 cm) at the sides and 4 inches (10 cm) behind the washer. Be sure to allow for wall, door, or floor moldings that may increase the required clearances.



DIMENSIONS / CLEARANCES

A	21" (53 cm)
B	43 1/4" (110 cm)
C	22 1/4" (56.5 cm)
D	4" (10 cm)
E	1" (2.5 cm)
F	24" (60 cm)
G	1/4" (0.5 cm)

ASTHMA & ALLERGY FRIENDLY Mark is a Registered Trade Mark of the ASTHMA AND ALLERGY FOUNDATION OF AMERICA and ALLERGY STANDARDS LTD.